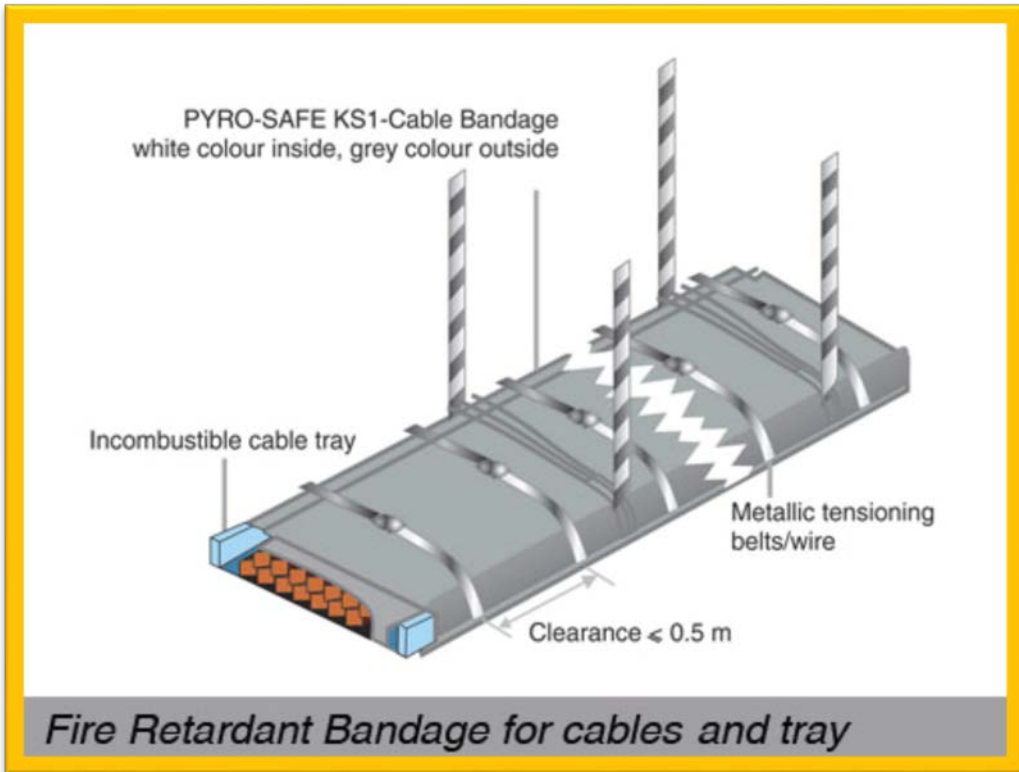


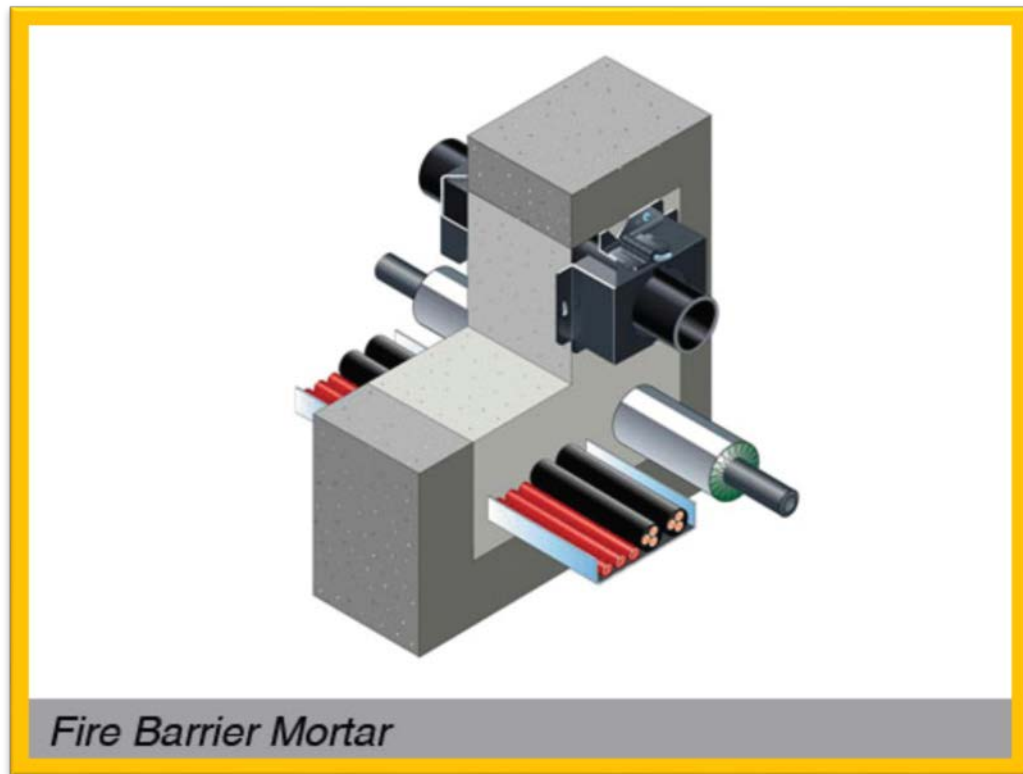


*Fire Retardant Coating for cables*



*Trapped key Valve Interlocks*





## Safety Products

One of the most common causes of a fire are electrical short circuits, caused by capacity overloads and/or inadequate cable insulation. Cable fire with its associated smoke spread in unprotected buildings. When 1 kg of insulation of a PVC cable burns, up to 1,000 meter cube of room air are contaminated with toxic smoke. 90% of people injured during fire are the victims of toxic gases.

Our Product ranges confirm listed below to international standards and approval such as FM, UL 4990, BS 476, IEC 332-2, DNV.

1. Ablative and non Ablative / Intumescent Fire retardant coatings for cables and pipes.
2. Fire barriers for wall and ceiling made of mineral fiber, mortar, cable modular system
3. Coatings for steel, wood and structures.
4. Cable bandages for cables.
5. Application/Installation at customer site.