

Flexible current clamps 30/300/3000A for analysers and testers

Calmet FCT3000AC

- 3 current measurement ranges: 30A, 300A, 3000A
- Large current loop diameter
- Simultaneously current measurement in 3 phases
- Exchangeability of clamps between devices with keeping accuracy
- Works with TE30 and TS33 testers and analysers



Flexible current clamps (Rogowski coils) FCT3000AC allow for easy current measurement on cables and bars in electric installation. Due flexibility and small sensor diameter it is easy to assembly them in hard access places. Maximum diameter of cable, on which we can close the sensor is about 190mm.

Technical specification

Parameter	Value
Range of current	0,3...30A/3...300A/30...3000A
Output voltage	100mV, 10mV, 1mV / 1A
Minimum load impedance	≥100kΩ
Accuracy	1% m.v.+ 0,1% r.v.
Frequency range	10Hz to 50kHz
Linearity (10% to 100% of range)	0.2% m.v.
Temperature coefficient	±0,08% m.v. / °C
Power supply - battery	2x AA or 2x LR6 alkaline
Battery life	Up to 400h
Maximum voltage of cable / bar	600V AC RMS
Cable length	610mm
Cable sensor diameter	14,3mm
Bend radius	38,1mm
Length of connecting cable	2,85m
Temperature range operation / storage	-20 °C do +85 °C
Weight	approx. 1,5kg
Safety	600V RMS, Cat. III, Pollution degree 2
Safety standards	EN 61010-1, -2, -031

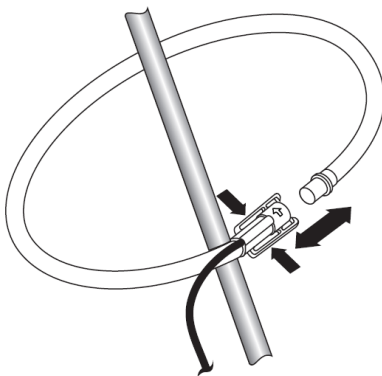
Warning!



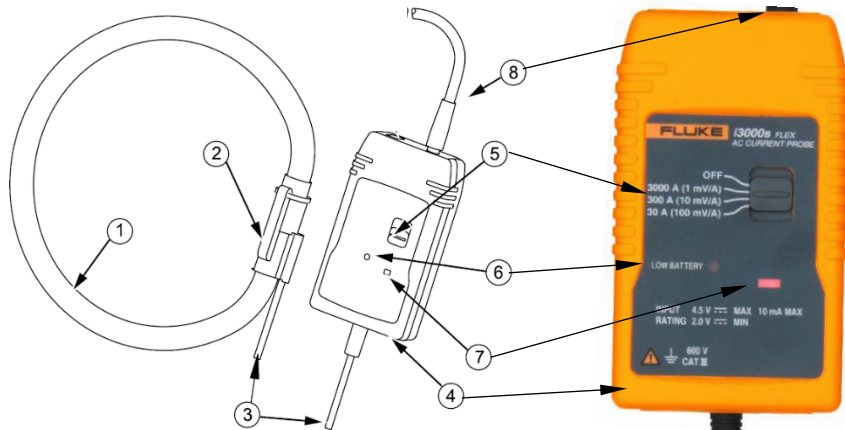
- flexible clamps can be only used by qualified personnel;
- protect flexible clamps against water and humidity;
- always connect flexible clamp to tester before installing it on cable;
- never exchange battery during measurements with closed sensor loop;
- never use flexible clamp without battery installed;
- never use flexible clamp for measurements on cables with voltage greater than 600V.

m.v. – measured value; r.v. – range value

Closing the current sensor



Clamp components description



- 1- Clamp sensor
- 2- Closing loop lock
- 3- Clamp cable
- 4- Enclosure
- 5- Switch On/OFF and range selector
- 6- Low battery indicator
- 7- Power ON indicator
- 8- Output cable

Calmet sp. z o.o.
 Kukulcza 18 Street, 65-472 Zielona Gora, Poland
 Tel. +48 68 324 04 56 Fax +48 68 324 04 57
 E-mail: mail@calmet.com.pl Internet: http://www.calmet.com.pl