

## Phantom load

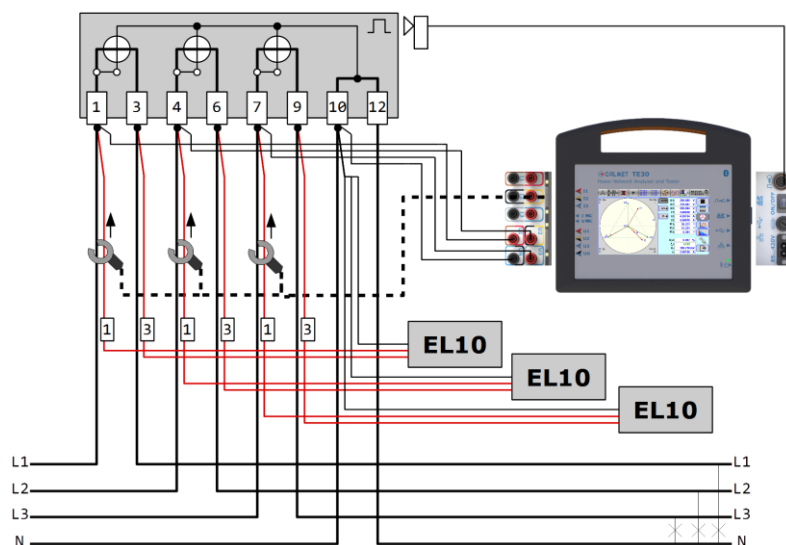
### Calmet EL10

- Loading of single and three phase electricity meters
- Current output up to 5A
- Silent operation and no heating
- No need to disconnect meter and end user from circuit during electricity meter testing on site
- Powering directly from measurement circuit
- Safety stackable cables



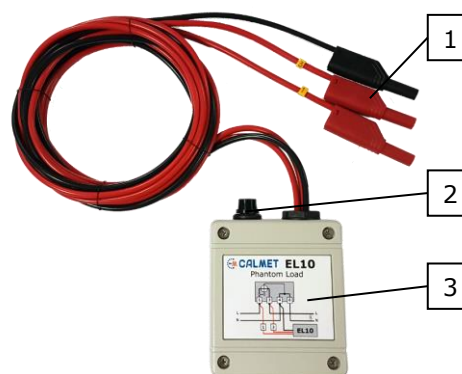
Phantom load (current source) type Calmet EL10 together with electricity meter tester (type Calmet TE30, Calmet Caltest10 and other) is dedicated to test all types of single and three phase electricity meters. The EL10 is single phase AC current source and is used to force the current flow up to 5A through current coils of meters without necessity to disconnect tested meter.

### Measurement system for electricity meter testing



Measurement system for electricity meter testing on site with EL10 source and TE30 tester

### Short operation manual



- 1 - power cord of EL10 (red wire with marking 1 and black wire) and current output (red wires)
- 2 - fuse socket
- 3 - wiring diagram for the meter connection

Technical parameters	
Output current	Up to 5A <sup>1)</sup>
Phase angle of the output current relative to the supply voltage	0°
Frequency	50/60Hz according to the supply voltage
THD of current	According to the supply voltage
Supply voltage	85...253V / 45...65Hz / 5VA
Type of fuse	FF 6.3A 250V, 5x20mm
Ambient temperature	-10...+50°C operating, -20...+60°C transportation
Dimensions (width/height/depth) and weight	80 / 105 / 40mm i 0.6kg
Measurement Category	300V CAT III acc. to EN 61010-1
Degree of protection	IP40 acc. to EN 60529

<sup>1)</sup> The current value depends on the supply voltage and the load resistance of the current output

EL10 phantom load's set consists of:

- phantom load EL10,
- fuse FF6,3A 250V, 5x20 (5units),
- operation manual,
- guarantee certificate.

Calmet sp. z o.o.  
 Kukulcza 18, 65-472 Zielona Gora, Poland  
 Phone +48 68 324 04 56 Fax +48 68 324 04 57  
 E-mail: mail@calmet.com.pl Web access: http://www.calmet.com.pl