

Current clamps 10A for analysers and testers

Calmet CT10AC

- Wide range of current measurement: 5mA to 12A
- 20 mm maximum conductor size
- Easy to assembly in hard access places
- Works with TE30 and TS33 analysers and testers

Current clamps CT10AC allow for easy current measurement on cables and bars in electric installation. Due to narrow jaws and large hole diameter, it is easy to assembly them in hard access places. Maximum diameter of cable, on which we can close the sensor is about 20mm.



Technical specification

Parameter	Value
Range of current	5mA – 12A AC
Output voltage	100mV / 1A
Minimum load impedance	≥1MΩ
Accuracy	0.5% m.v. in range 0.1 to 12A 0.5% r.v. in range 5mA to <u>0.1A</u>
Frequency range	40Hz to 10kHz
Maximum voltage of cable / bar to earth	600V AC RMS
Length of connecting cable	1,85m
Temperature range operation / storage	-10°C to +55°C/-40°C to 70°C
Dimensions of single clamp	135 x 57 x34.5 mm
Weight of single clamp	approx. 0.2kg
Safety	600V RMS, Cat. III, Pollution degree 2
Safety standards	EN 61010-1, -2, -031

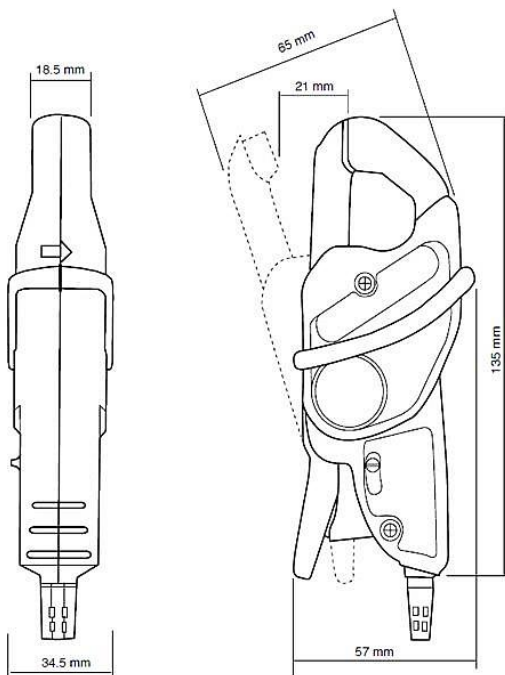
m.v. – measured value; r.v. – range value (underlined)

Warning!



- current clamps can be only used by qualified personnel;
- protect current clamps against water and humidity;
- always connect current clamp to tester before installing it on cable;
- keep clean current jaws to avoid additional errors;
- open the jaws by pressing the lever, place clamp on the conductor, close jaws precisely;
- never use current clamp for measurements on cables with voltage greater than 600V.

Current sensor dimensions



Measurement Procedure

- 1- Connect the output connector to the analyser or tester;
- 2- Open the jaws by pressing the lever in, then clamp the conductor. Make sure that only one conductor is in the jaws;
- 3- Close the jaws and make sure that the tip of jaws are fully closed;

Calmet sp. z o.o.
 Kukulcza 18 Street, 65-472 Zielona Gora, Poland
 Tel. +48 68 324 04 56 Fax +48 68 324 04 57
 E-mail: mail@calmet.com.pl Internet: http://www.calmet.com.pl